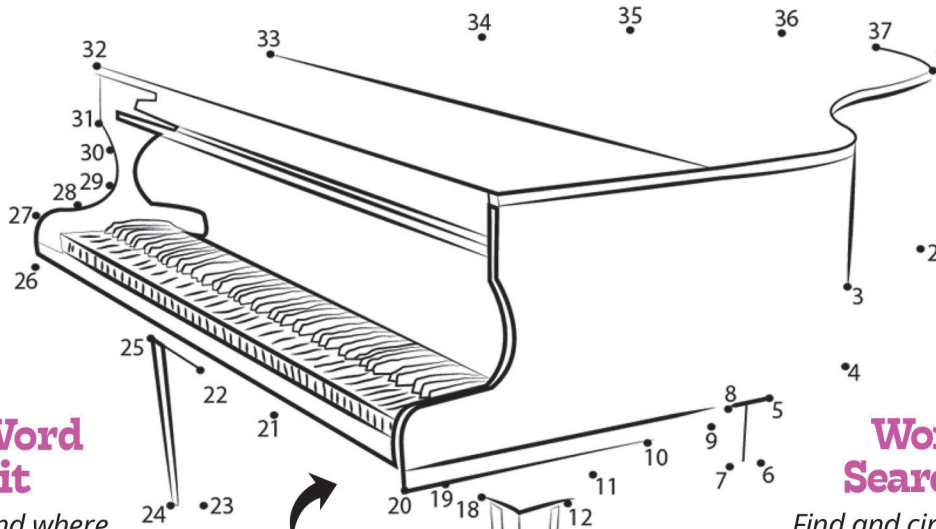


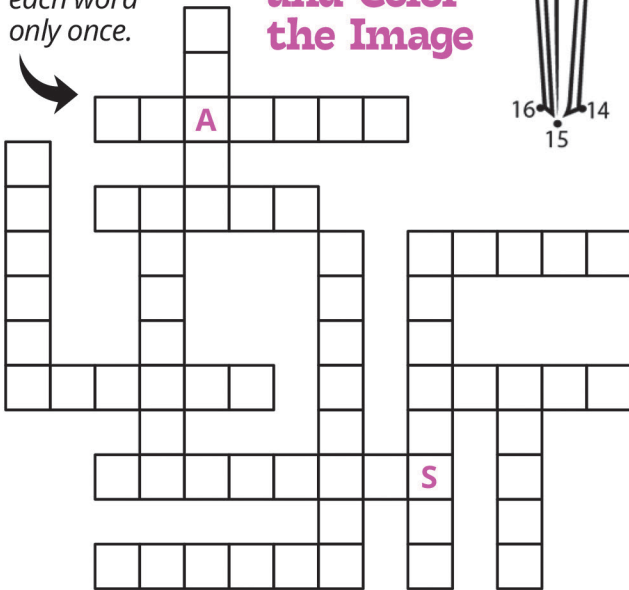
KID'S PAGE

Chamber Music

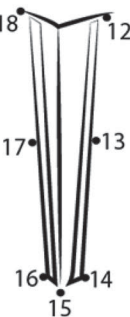


Word Fit

Find where all the words fit into the puzzle. Use each word only once.



Connect the Dots and Color the Image



Word Search

Find and circle each of the words listed on the left.

5 Letters

- cello
- chord
- piano
- pitch
- tempo

6 Letters

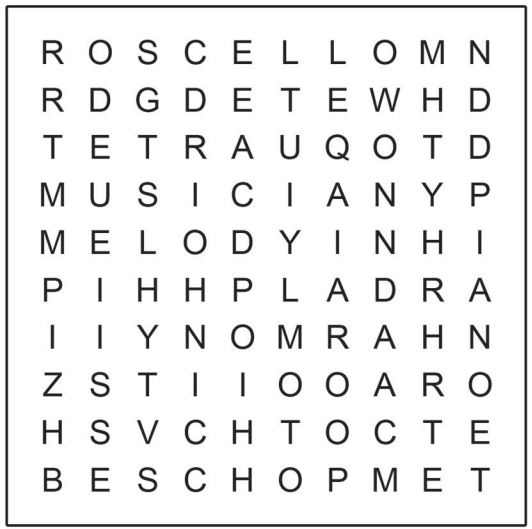
- melody
- rhythm
- violin

7 Letters

- harmony
- quartet

8 Letters

- composer
- dynamics
- musician



Sea Mart Family Concert

Sunday, June 2, 3pm

Lawn in front of the Miner Music Center at Stevenson Hall

Featuring family-friendly music and discussion followed by ice cream. Come rain or shine and bring a chair! We have tents up in the event of rain. Dogs are welcome, too!

Concert is free to the public!

THE KID'S PAGE IS SPONSORED BY



- **Boiler / Furnace Sales & Maintenance**
- **Sheet Metal Fabrication**
- **Certified Refrigeration Specialists**
- **Heat Pump Sales - Most Major Brands**
- **Heat Pump Installation, Repair or Start-Up**
- **Commercial Refrigeration/Cooler Installation & Repair**

